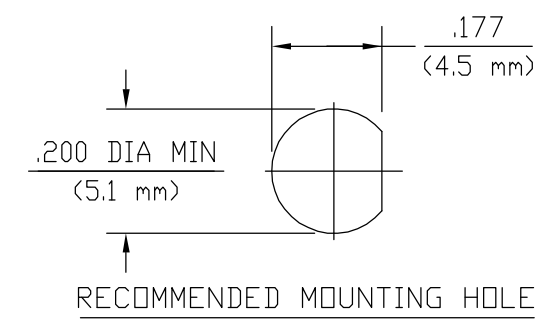
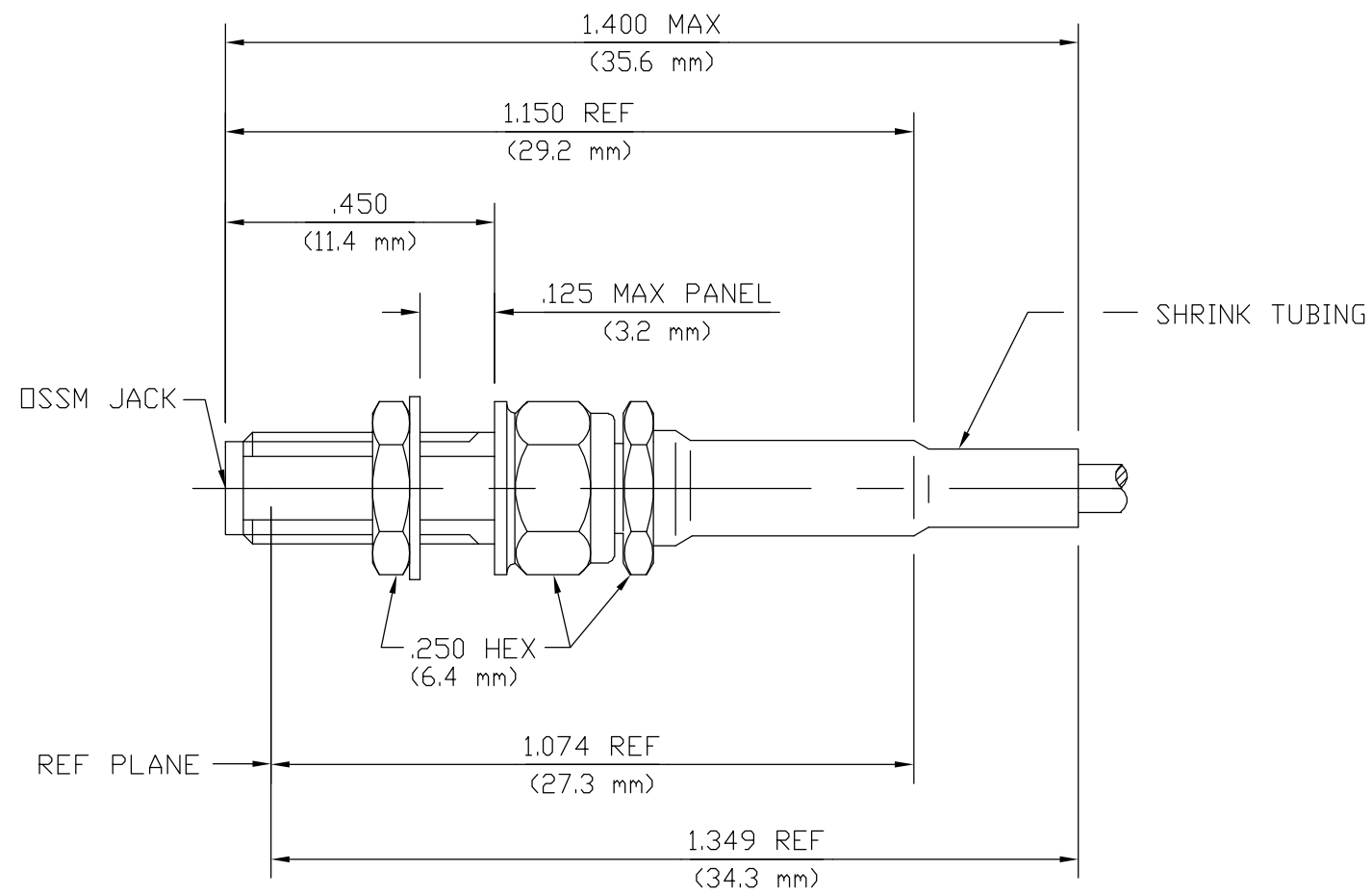


THIS DRAWING IS UNPUBLISHED. RELEASED FOR PUBLICATION
 © COPYRIGHT - BY TYCO ELECTRONICS CORPORATION. ALL RIGHTS RESERVED.

LOC	DIST	REVISIONS			
P	LTR	DESCRIPTION	DATE	DWN	APVD
DF	Xo	B	REV PER OH14-0582-04	9-12-05	TJB FB



COMPONENT	MATERIAL	FINISH
HOUSING MOUNTING NUT CLAMP NUT LOCKWASHER	STAINLESS STEEL PER ASTM-A484 AND ASTM- A582, TYPE 303	GOLD PLATE PER MIL-G-45204 OVER NICKEL PLATE PER QQ-N-290LATE PER
DIELECTRIC	TFE FLUOROCARBON PER MIL-P-19468 AND FED SPEC L-P-403	N/A
CENTER CONTACT	BERYLLIUM COPPER PER QQ-C-530,ALLOY 173	GOLD PLATE PER MIL-G-45204 OVER COPPER PLATE PER MIL-C-14550
RETAINING RING	BERYLLIUM COPPER PER QQ-C-533	N/A
SLEEVE	BRASS PER QQ-B-626 COMP 360	GOLD PLATE PER MIL-G-45204 OVER COPPER PLATE PER MIL-C-14550
FERRULE	SOFT COPPER ALLOY	GOLD PLATE PER MIL-G-45204 OVER COPPER PLATE PER MIL-C-14550
SHRINK TUBING	HEAT SHRINKABLE POLYOLEFIN COMPOUND MIL-I-23053	N/A

CABLE ENTRY DIAMETER MINIMUM	
CONTACT	.023
SLEEVE	.0367
DIELECTRIC	.039

- DESIGNED FOR USE WITH RD 196 & RD 178 DOUBLE BRAIDED CABLE
- CAPTURED CENTER CONTACT
- VSWR 1.15+.030 F(GHZ)

1058596-1
PART NUMBER

THIS DRAWING IS A CONTROLLED DOCUMENT.		DWN TIM BLANCH 9-12-05	Tyco Electronics Corporation Harrisburg, Pa 17105-3608	
DIMENSIONS: INCHES		CHK F.BLASICK 12-29-05		
		APVD F.BLASICK 12-29-05	NAME OSSM BULKHEAD FEED THRU CABLE JACK CRIMP ATTACHMENT	
TOLERANCES UNLESS OTHERWISE SPECIFIED:		PRODUCT SPEC	APPLICATION SPEC	
0 PLC ± -		SIZE		
1 PLC ± -		CAGE CODE		
2 PLC ± .005		DRAWING NO		
3 PLC ± -		RESTRICTED TO		
4 PLC ± -		A3 00779 C-1058596		
ANGLES ± 1'		WEIGHT		
FINISH		CUSTOMER DRAWING		
-		SCALE 4:1		
-		SHEET 1 OF 1		
-		REV B		